



## CONTROL DAMPERS 50mm PITCH

WM-05  
SERIES

### OVERVIEW

#### OVERVIEW :

The WM-05 series forms a new range of calibration dampers. These dampers are used in ventilation systems and for the regulation of the air distribution in the network. The regulation of the air flow is managed from a manual command able to regulate the blade inclination (WM-05C). In alternative the damper can be equipped with an electric servomotor that can be controlled by the individual themselves (WM-05P). With this scope, a version has also been designed with a control hinge, as shown in the diagrams here below shown.

#### CHARACTERISTICS:

**Frame:** extruded aluminium, 30 mm flange, 65 mm thick, built in four parts joined by mechanical assembly.

**Winglets:** drummed to a wing profile in extruded aluminium extruded 50mm internal axis.

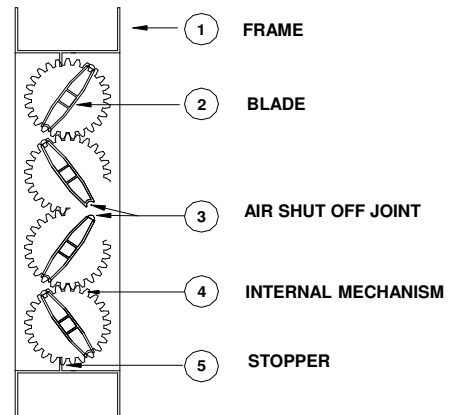
**Mechanism :** transmission system composed by the movement of the interlocking gears.

#### Available dimensions :

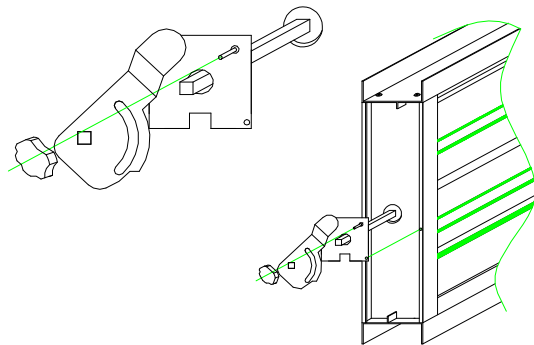
Minimum : 100 x 61

Maximum : 800 x 811

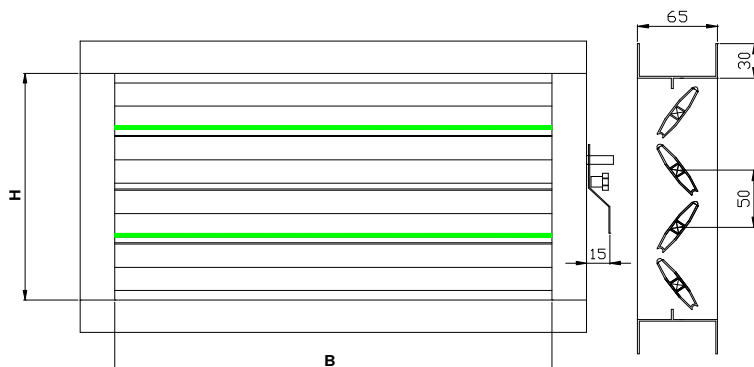
For special dimensions please request availability and offer.



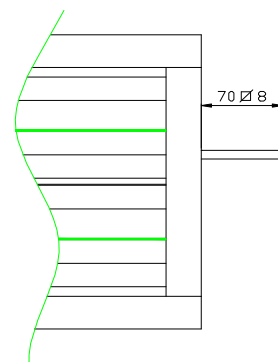
#### MANUAL COMMAND DETAIL :



#### TECHNICAL DIAGRAMS :



#### SPECIAL ASSEMBLY WITH HINGE :





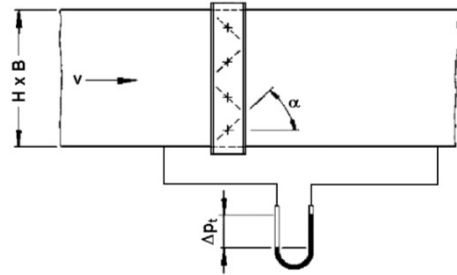
## CONTROL DAMPERS 50mm PITCH

WM-05  
SERIES

### PERFORMANCE

The graphs and diagrams shown, refer to the pressure loss with reference to the speed of the air and of the inclination of the blades and in the same way the relative noise levels of the single unit.

For different areas to the ones shown, the correcting factor K must be added.



Vf Frontal velocity

Data: B Base in mm

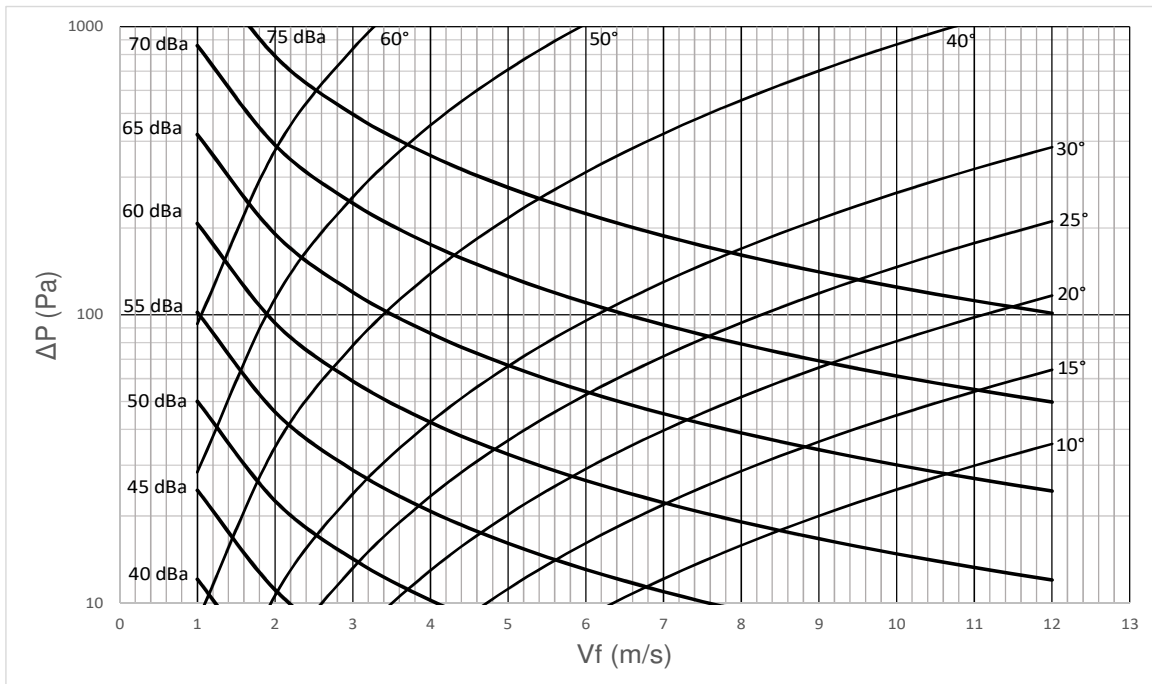
H Height in mm

Q Air flow in m<sup>3</sup>/h

A= (B/1000)\*(H/1000) Area in m<sup>2</sup>

Vf= Q/A/3600

Pressure drop and sound power for frontal area = 1m<sup>2</sup>



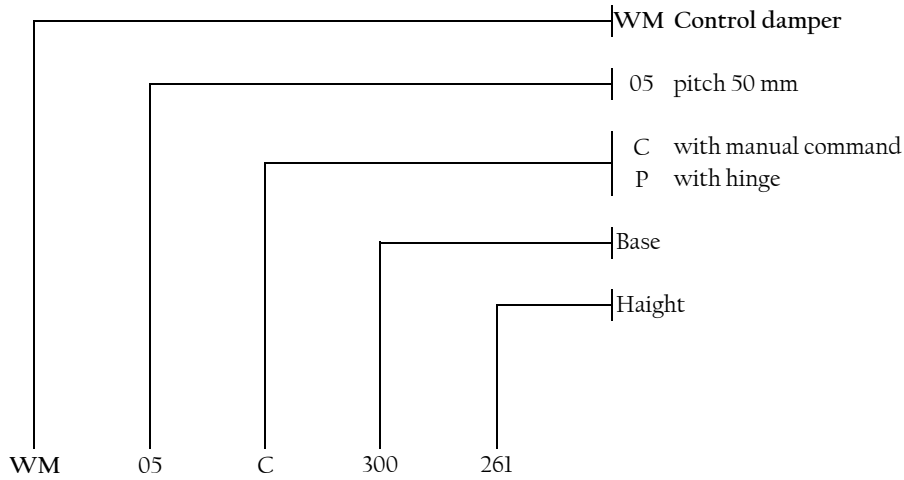
CORRECTION FACTOR "K" OF THE SOUND POWER FOR DAMPERS WITH FRONTAL AREA DIFFERENT FROM 1m <sup>2</sup>									
BxH [m <sup>2</sup> ]	0,005	0,010	0,020	0,050	0,100	0,200	0,500	0,700	1,000
K [dB(A)]	-23	-20	-17	-13	-10	-7	-3	-2	0



**CONTROL DAMPERS**  
**50mm PITCH**

**WM-05**  
**SERIES**

AVAILABLE SIZES



standard bases B mm
100
150
200
250
300
350
400
450
500
550
600
650
700
750
800

standard haight H mm
61
111
161
211
261
311
361
411
461
511
561
611
661
711
761
811
861

