



INSULATED PLENUM IN ABS WITH ADJUSTABLE CONNECTOR

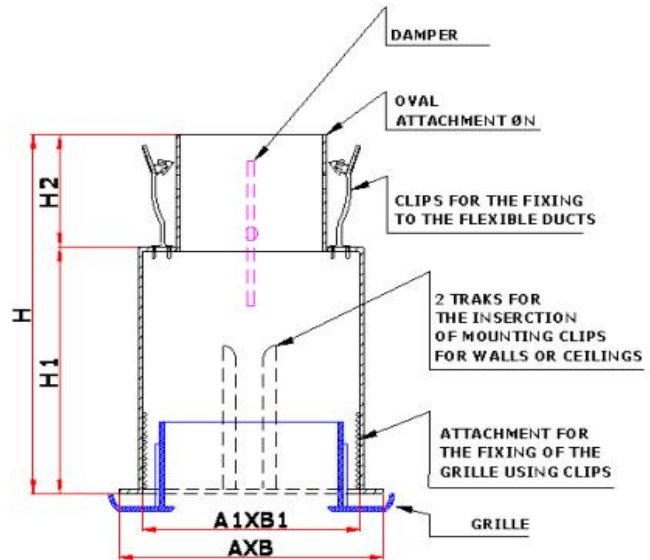
TE-PAB
SEIRES

MATERIALS MANUFACTURING DIMENSIONS

The insulated TE-PAB series plenum is a special patented model in ABS class V0, with quick connector for flexible ducts, adjustable in height and complete of regulation damper. Its particular design, allows to rapidly fit with a simple action the flexible ducts of different diameters blocking them with special clips. The TE-PAB plenum is an alternative to the traditional ones in galvanized steel sheets and thanks to the regulation of the connector, enables the use of one single type of plenum for grille size. The plenum disposes of a butterfly damper so as to easy adapt to the size of the connector previously chosen. The presence of guides for the use of clips for fitting to walls or ceilings and its reduced weight, make the TE-PAB an ideal product for every type of installation.

Materials

Standard Plenum TE-PAB: In ABS. Regulation damper: In abs.



Connector regulation system



Adaptable damper

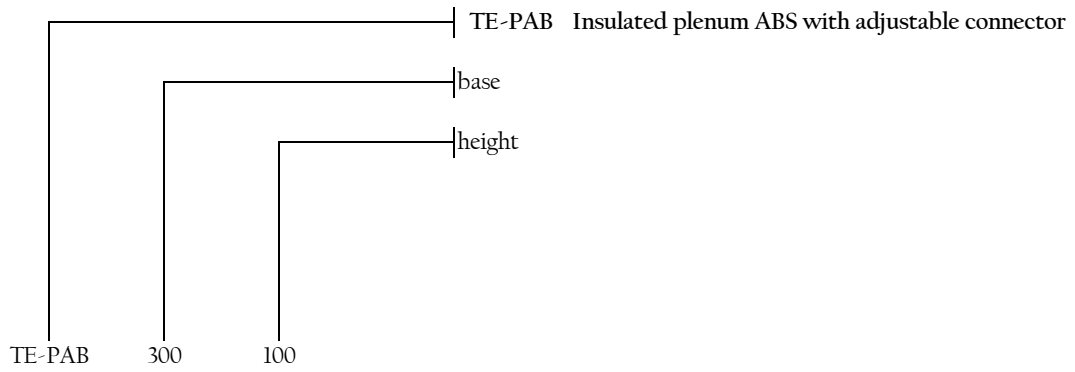
Model	Ø N	AXB	A1XB1	H	H1	H2
TE-PAB-200100	125	125x223	102x201	160	110	50
TE-PAB-300100	160-200	125x323	102x301	160	110	50
TE-PAB-400100	160-200	125x423	102x401	160	110	50
TE-PAB-300150	160-200	175x323	152x301	160	110	50
TE-PAB-400150	160-200-250	175x423	152x401	160	110	50
TE-PAB-500150	160-200-250	175x523	152x501	160	110	50
TE-PAB-600150	160-200-250	175x623	152x601	160	110	50
TE-PAB-400200	200-250	225x423	202x401	160	110	50
TE-PAB-500200	200-250	225x523	202x501	160	110	50
TE-PAB-600200	200-250	225x623	202x601	160	110	50



INSULATED PLENUM IN ABS WITH ADJUSTABLE CONNECTOR

TE-PAB
SEIRES

HOW TO ORDER



Suitable bases
200
300
400
500
600

Suitable heights
100
150
200