



REGULATION DAMPER WITH HOLD DIN 1946 PITCH 200 mm.

CL-SRR
SERIES

OVERVIEW

OVERVIEW:

The regulation dampers (DIN 1946/4) are used in ventilation systems for the exclusion of particular areas.

CHARACTERISTICS :

Frame in galvanised steel sheet Z275, 1,5mm thick;
Tubular blades with special profile for the insertion of the internal frame also in galvanised steel sheet but 0,8+0,8mm thick.

Blade weight 200 mm;

External hinges for the damper regulation;

bronze ringlets;

command hinge $\varnothing 18$ mm;

Lateral fixing with stainless steel blades on each large blade.

Pressure loss test done following ISO 7244 regulations at the Giordano Institute (Test report N.136363):

Generated noise levels test done following UNI EN 25135 regulations carried out at the Giordano Institute (Test report N.148829).

Closing/Cut off Test DIN 1946/4 done again at the Giordano Institute (Test report N.136466).

ACCESSORIES :

manual command R12;

Electric servo motor:

-up to 0.2 m² Belimo NM model;

-from 0.21 to 1.0 m² Belimo SM model;

-from 1.1 to 1.5 m² Belimo AM model;

-from 1.51 to 2.2 m² Belimo GM model;

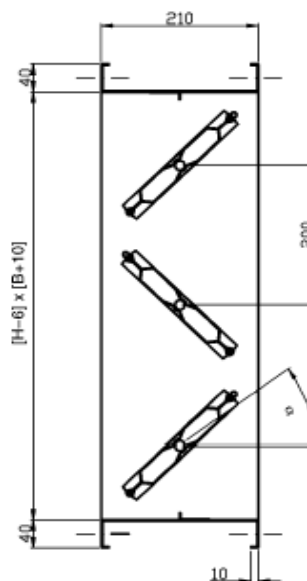
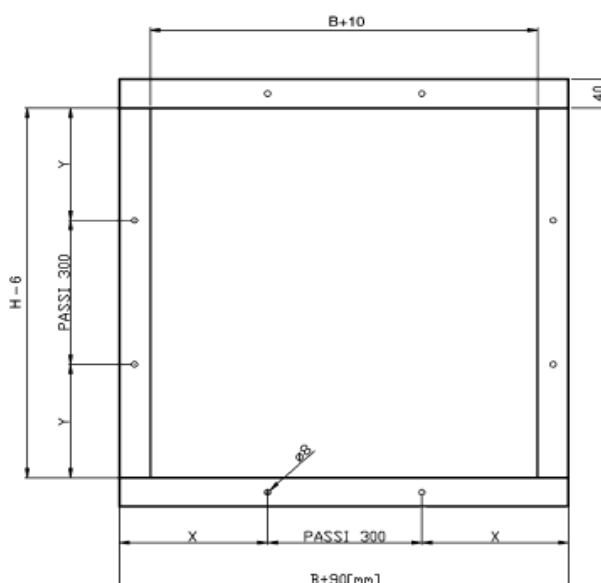
-above 2.21 m² two motors in relation to the surface of each damper.

AVAILABLE SIZES :

Base B from 200mm to 2000mm

Height H from 210mm to 2010mm

MAIN DIMENSIONS :





**REGULATION DAMPER
WITH HOLD DIN 1946 PITCH 200 mm.**

**CL-SRR
SERIES**

PERFORMANCE

PRESSURE LOSS AND GENERATED NOISE:

speed m/s	ANGLE APERTURE (0°=OPEN DAMPER)					
	0°		30°		60°	
	ΔPt	LwA	ΔPt	LwA	ΔPt	LwA
1	<5	<20	6	32	130	49
2	<5	23	23	49	520	69
3	<5	34	52	58	1185	76
4	<5	42	94	66	1350	83
5	<5	48	145	71		
6	<5	53	215	75		
7	7	57	290	79		
8	9	61	380	83		
9	11	64	480	86		
10	13	68	580	88		
11	16	71	700	91		
12	19	73	830	93		
13	22	75	975	95		
14	25	77	1130	97		
15	27	79	1300	99		

AVAILABLE SIZES										
BASE mm	HEIGHT mm									
	210	410	610	810	1010	1210	1410	1610	1810	2010
200	X	X	X	X	X	X	X	X	X	X
300	X	X	X	X	X	X	X	X	X	X
400	X	X	X	X	X	X	X	X	X	X
500	X	X	X	X	X	X	X	X	X	X
600	X	X	X	X	X	X	X	X	X	X
700	X	X	X	X	X	X	X	X	X	X
800	X	X	X	X	X	X	X	X	X	X
900	X	X	X	X	X	X	X	X	X	X
1000	X	X	X	X	X	X	X	X	X	X
1100	X	X	X	X	X	X	X	X	X	X
1200	X	X	X	X	X	X	X	X	X	X
1300	X	X	X	X	X	X	X	X	X	X
1400	X	X	X	X	X	X	X	X	X	X
1500	X	X	X	X	X	X	X	X	X	X
1600	X	X	X	X	X	X	X	X	X	X
1700	X	X	X	X	X	X	X	X	X	X
1800	X	X	X	X	X	X	X	X	X	X
1900	X	X	X	X	X	X	X	X	X	X
2000	X	X	X	X	X	X	X	X	X	X

HOW TO ORDER		
CL-SRR	XXX	XXX
rectangular dampers	base (mm)	hieght (mm)